

150

L. Pearce
ROYAL LABORATORY

P. R. H. H. H.

Cap. Wood
11/11/19

Fuze Diagrams.

(FOR INFORMATION ONLY.)

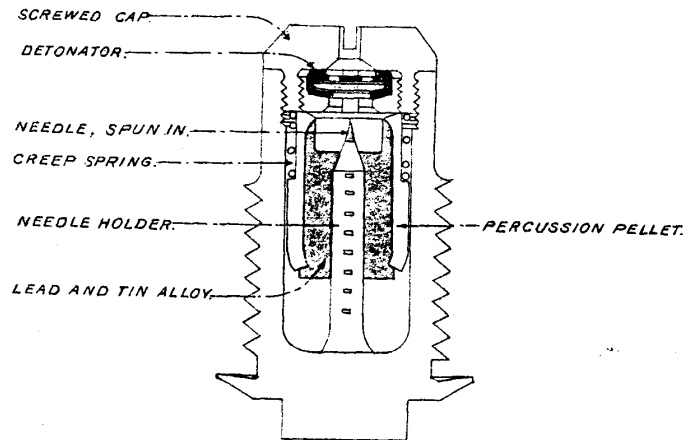
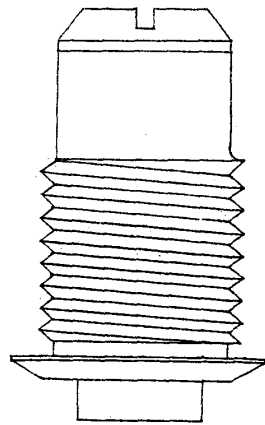
December, 1919

Part of
N^o 23490.
25. 5. 17.

ROYAL LABORATORY DEPARTMENT.

FUZE, PERCUSSION, BASE, HOTCHKISS, MARK VI. /C/.

— TWICE FULL SIZE. —



Part of
N° 14,500. B. (I).

ROYAL LABORATORY DEPARTMENT

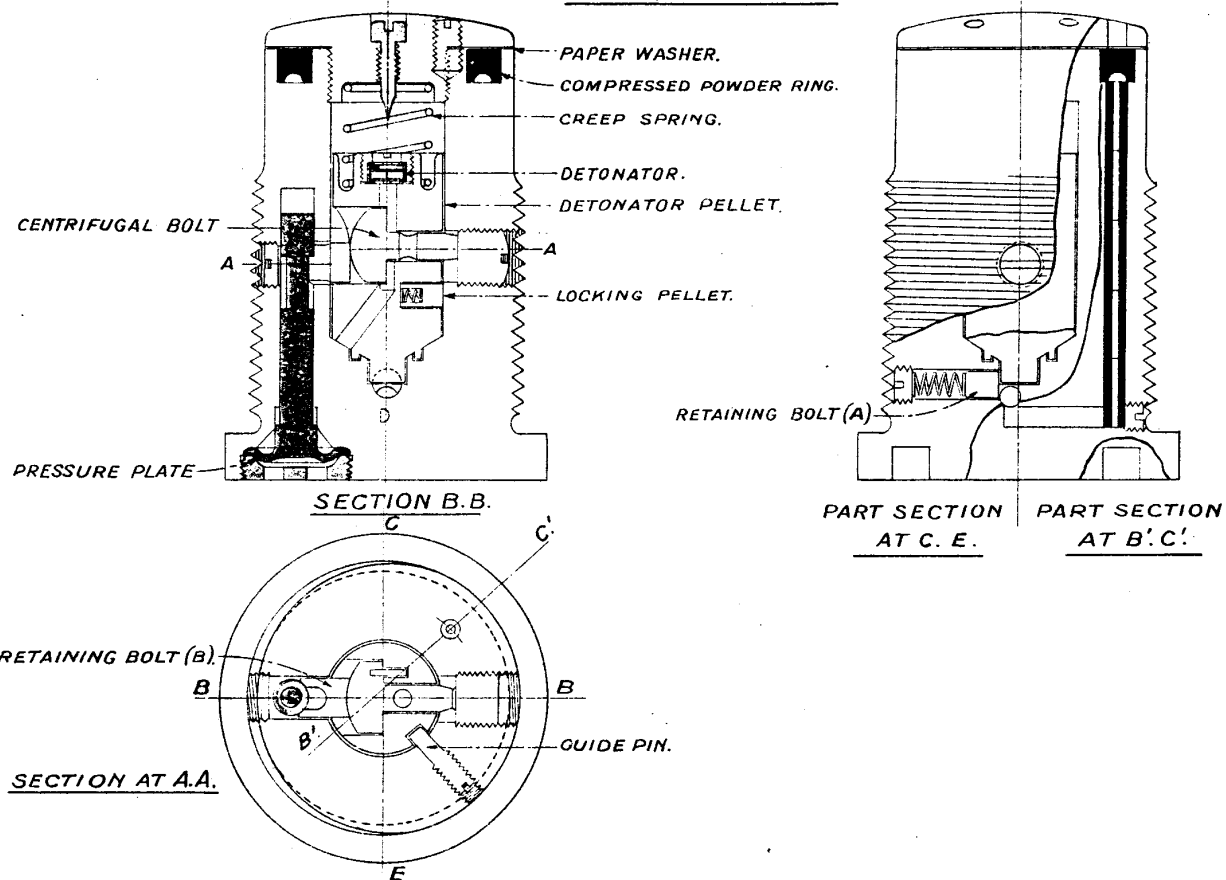
FUZE, PERCUSSION, BASE, LARGE N° II, (MARK VI)

C. METAL

FUZE, PERCUSSION, BASE, LARGE BRONZE, N° 15 (MARK V)

C.

SCALE, FULL SIZE.

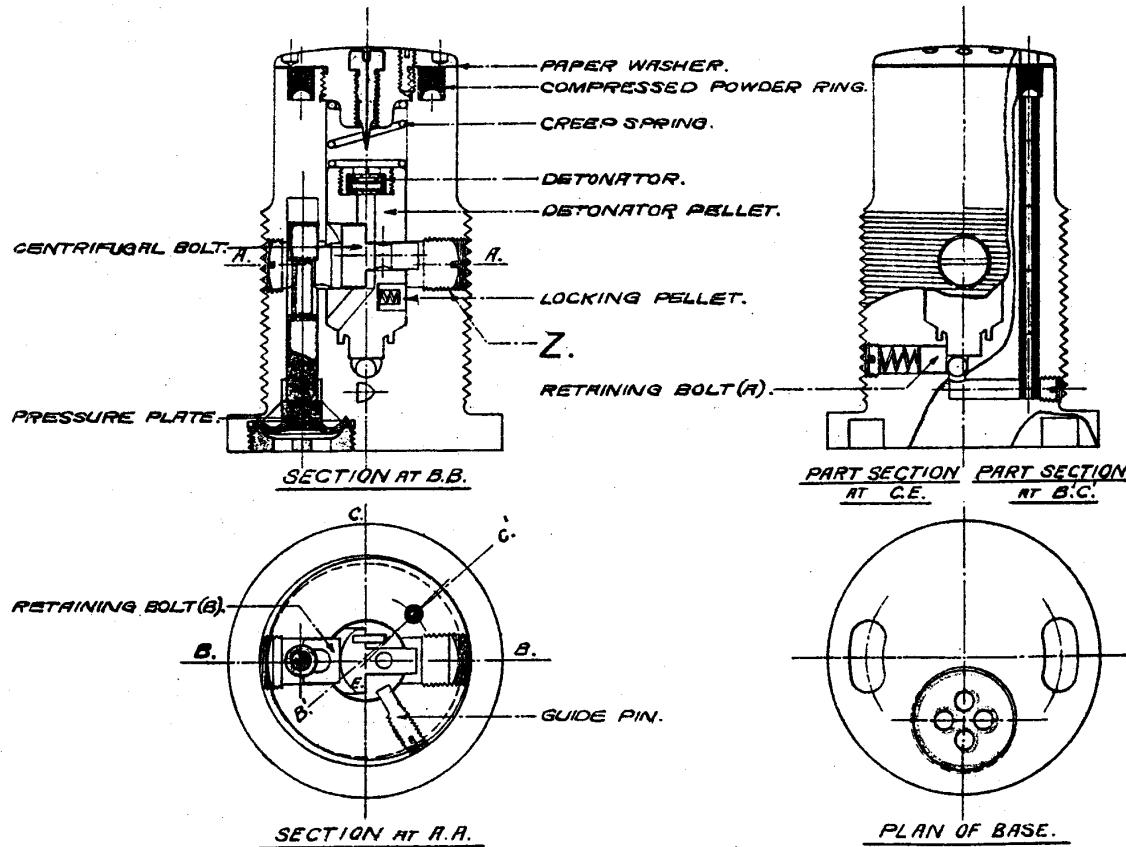


Part of
N° 25510

ROYAL LABORATORY DEPARTMENT.

FUZE, PERCUSSION, BASE, MEDIUM, N° 12, MARK X/N/METAL.

—FULL SIZE.—



NOTES ON EARLIER "MARKS"

MARK VII. THIS IS FITTED WITH A SPUN IN NEEDLE, THE PRESSURE PLATE IS OF A DIFFERENT SHAPE AND THE HOLE MARKED "Z" IS SMALLER IN DIAMETER.

MARK VIII A. THIS IS THE MARK VIII FUZE FITTED WITH THE MARK IX PRESSURE PLATE.

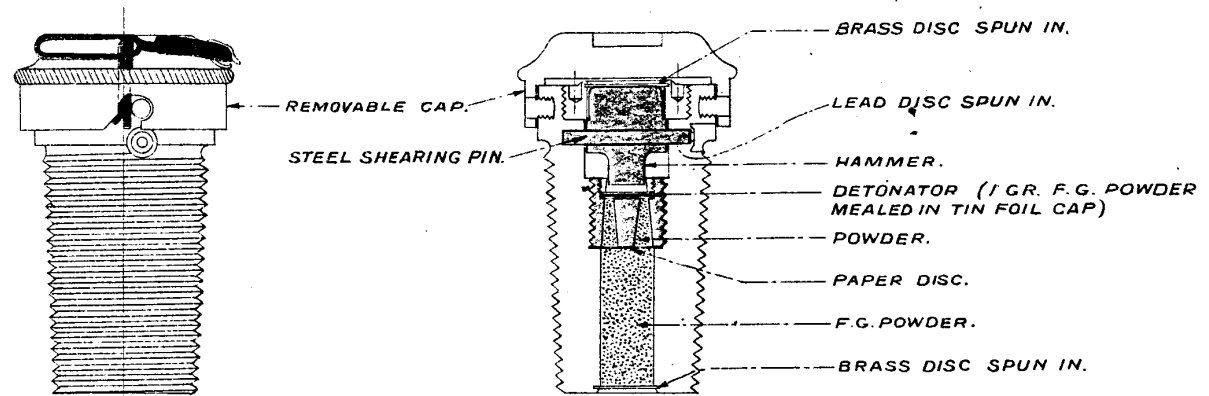
MARK IX. THIS IS THE SAME AS THE ONE HEREON EXCEPT THAT IT IS FITTED WITH A "SPUN IN" NEEDLE.

Part of
N° 17,630 D (I).

ROYAL LABORATORY DEPARTMENT.

FUZE, PERCUSSION, D.A. IMPACT N° 13, MARK V. /C/

SCALE, FULL SIZE.

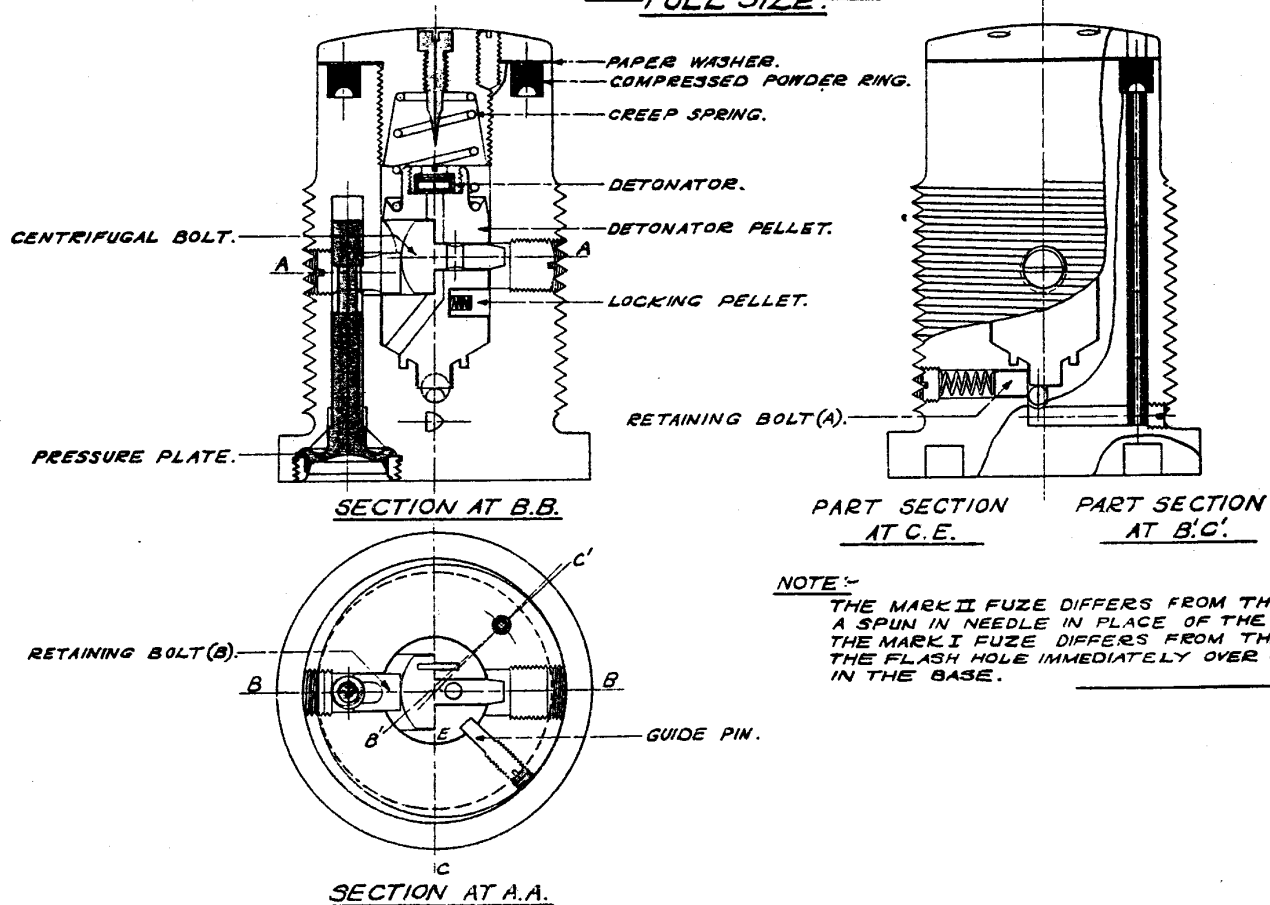


Part of R.L.
No 24650.

ROYAL LABORATORY DEPARTMENT.

FUZE, PERCUSSION, BASE, LARGE, BRONZE, No 16 MARK III /C/.

— FULL SIZE. —

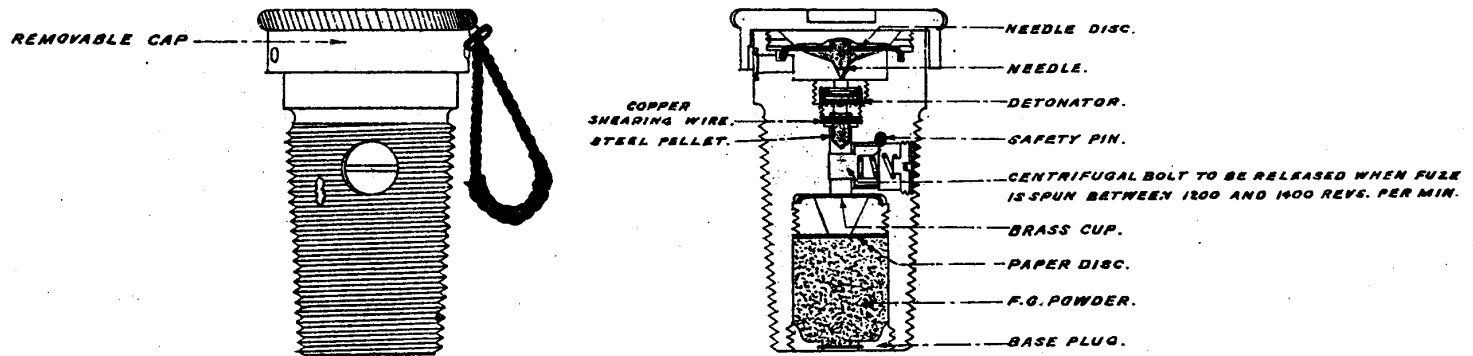


PART OF
N°16,450.A.

ROYAL LABORATORY DEPARTMENT.

FUZE, PERCUSSION, D.A. WITH CAP N°17, (MARK III./L/).

— SCALE, FULL SIZE. —

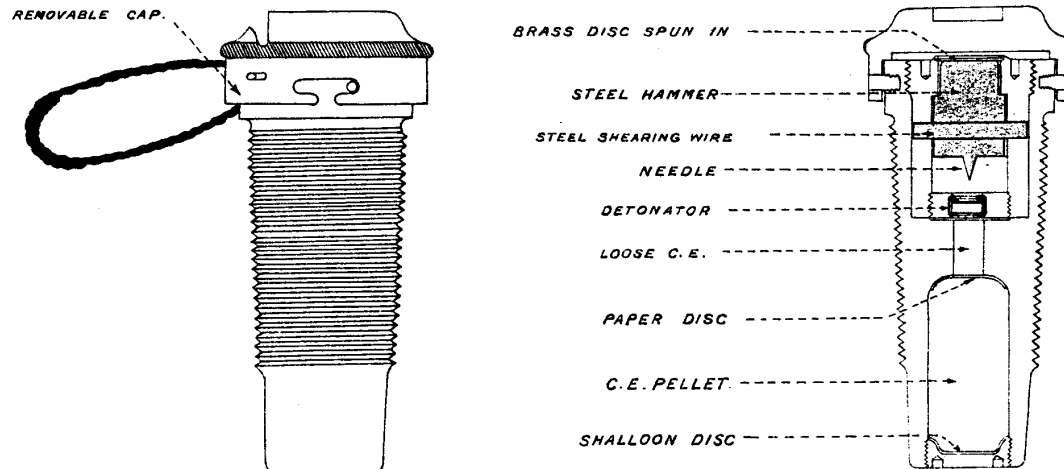


Part of
N° 13420 E (1)

ROYAL LABORATORY DEPARTMENT.

FUZE, PERCUSSION, D.A. IMPACT N° 18, MARK II /C/

— SCALE, FULL SIZE. —



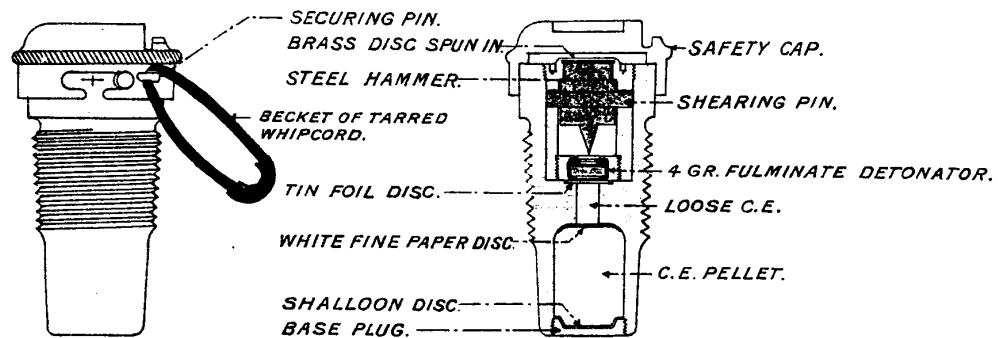
Part of
N^o 20090

ROYAL LABORATORY DEPARTMENT.

FUZE, PERCUSSION, DIRECT ACTION, IMPACT N^o 19A, MARK I. /N/

— SCALE, FULL SIZE. —

THIS FUZE DIFFERS FROM FUZE N^o 19 IN
HAVING THE EXTERNAL THREADED PORTION
TAPER INSTEAD OF PARALLEL.

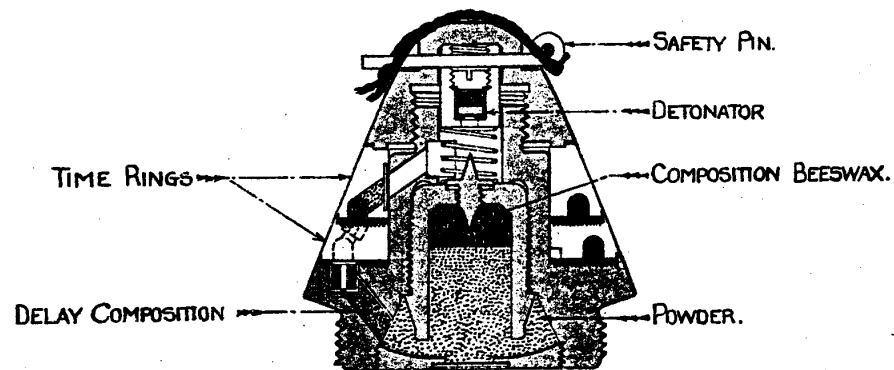


Part of
N° 21,880.A.

ROYAL LABORATORY DEPARTMENT.

FUZE, TIME, N° 31 MARK II.

SCALE, FULL SIZE.



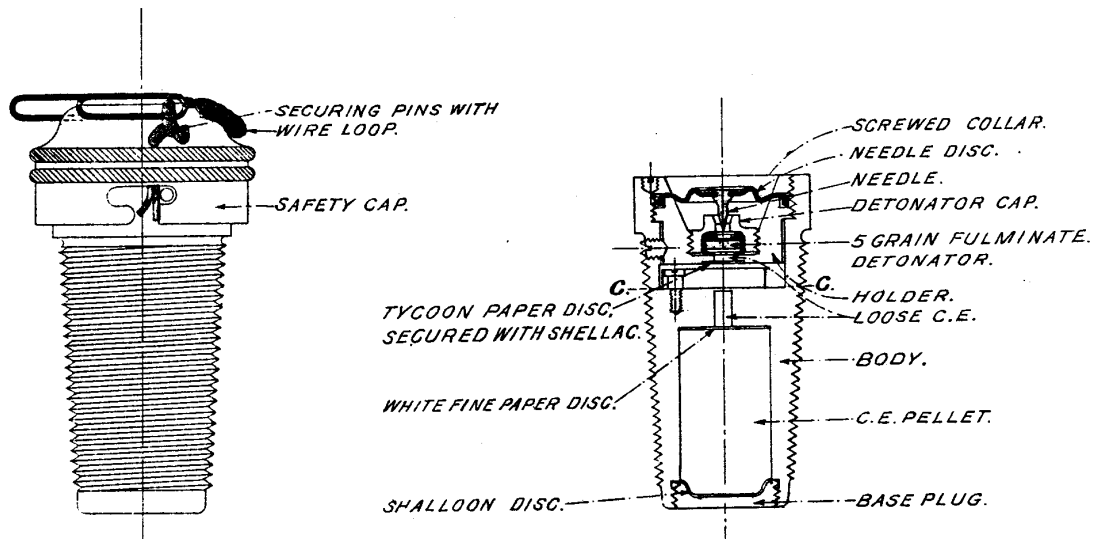
THE ABOVE FUZE HAS A BODY OF THE '87' TYPE
MARK I B. IS A SIMILAR FUZE BUT HAS AN '80' TYPE
BODY WITH THE LIP UNDER THE PLATFORM.

PART OF
N° 17,080 L.

ROYAL LABORATORY DEPARTMENT.

FUZE, PERCUSSION, D. A. WITH CAP, N° 44, MARK III. /L/.

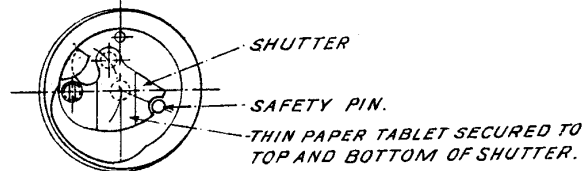
FULL SIZE.



FUZE N° $\frac{44}{80}$ IS THE SAME AS ABOVE BUT WITH A STIFFER SPRING TO GOVERN THE OPENING OF THE SHUTTER.

FUZE N° 50 IS FUZE N° 44 FILLED POWDER AND WITH THE SHUTTER REMOVED.

FUZE N° 51 IS ALSO FILLED POWDER INSTEAD OF C.E. BUT IS SHORTER THAN N° 44 BY 1 INCH. IT RETAINS THE SHUTTER.



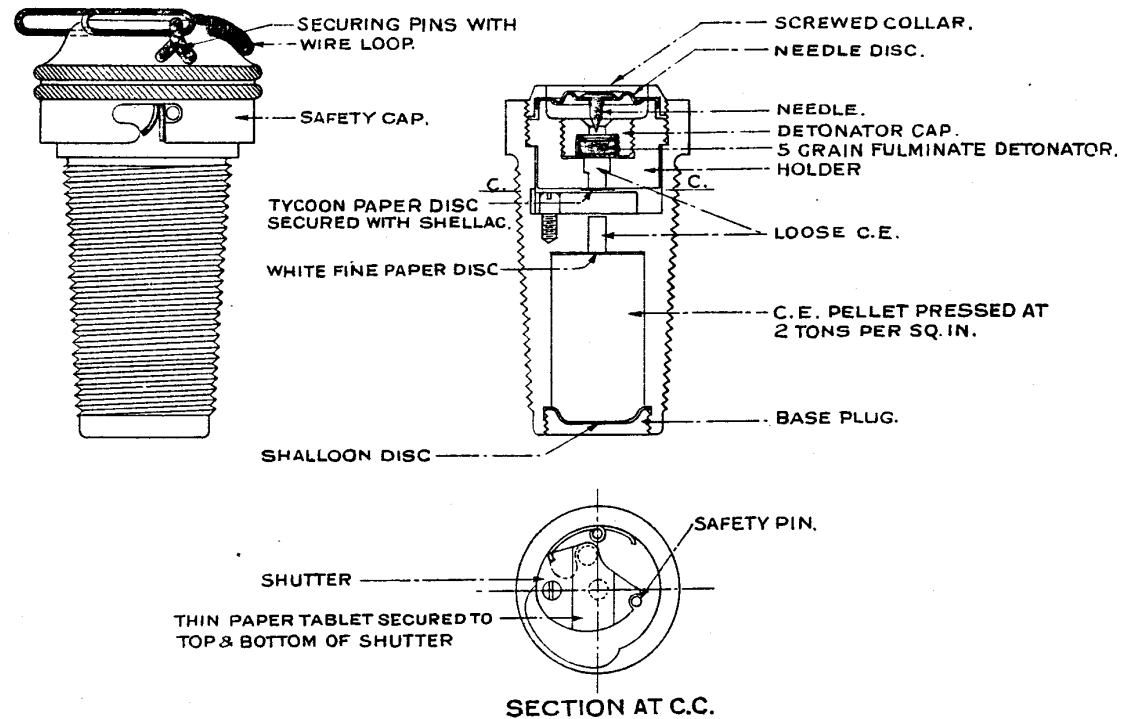
PART SECTION AT C. C.

PART OF N^o 23,810 A.

ROYAL LABORATORY DEPARTMENT.

FUZE, PERCUSSION, DIRECT ACTION, WITH CAP, N^o 44, MARK IV |C|.

— SCALE, FULL SIZE. —

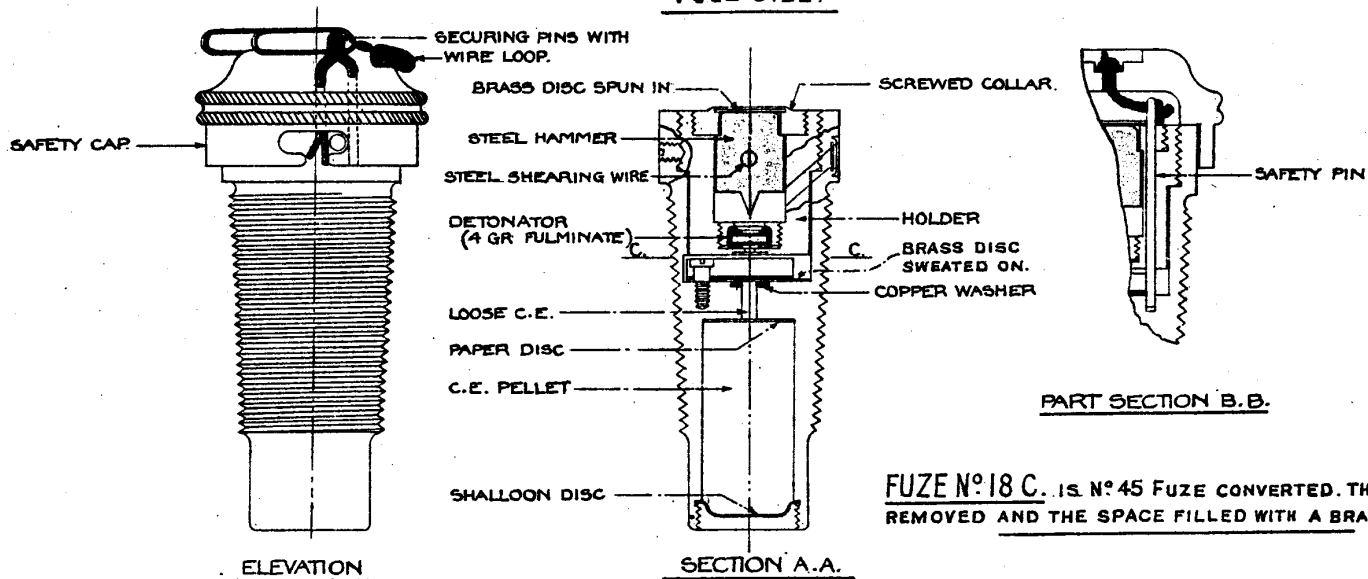


PART OF
N°16,640.Q.

ROYAL LABORATORY DEPARTMENT.

FUZE, PERCUSSION, D.A. IMPACT, N° 45, MARK II | C

FULL SIZE.

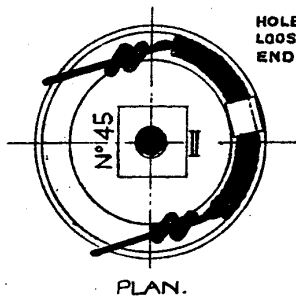


PART SECTION B.B.

FUZE N°18 C. IS N° 45 FUZE CONVERTED. THE SHUTTER IS REMOVED AND THE SPACE FILLED WITH A BRASS WASHER.

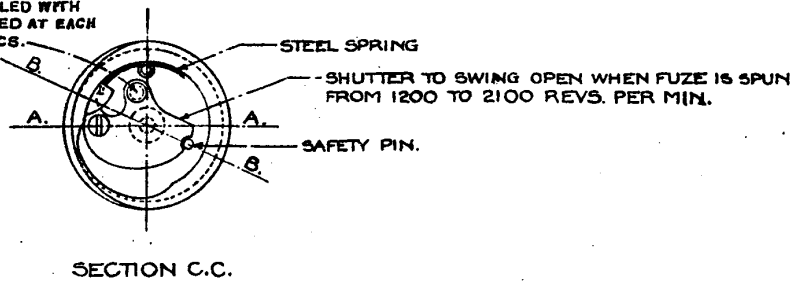
ELEVATION

SECTION A.A.



PLAN.

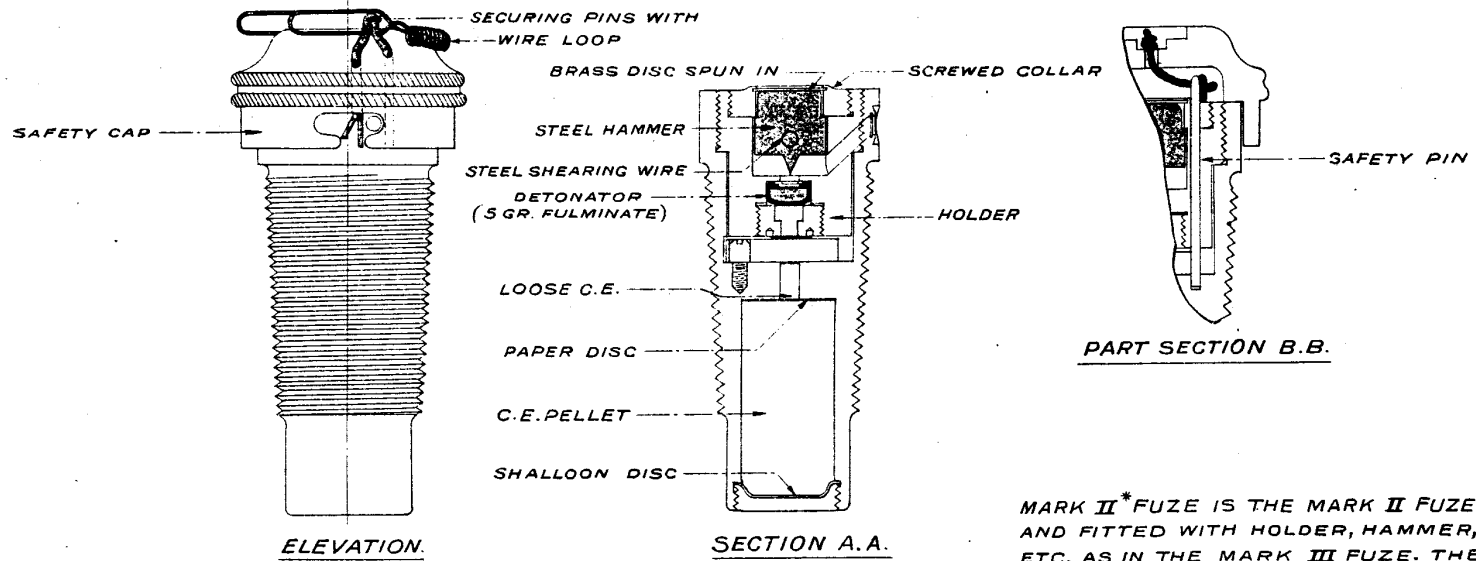
HOLE IN SHUTTER FILLED WITH LOOSE C.E. AND CLOSED AT EACH END BY PAPER DISCS.



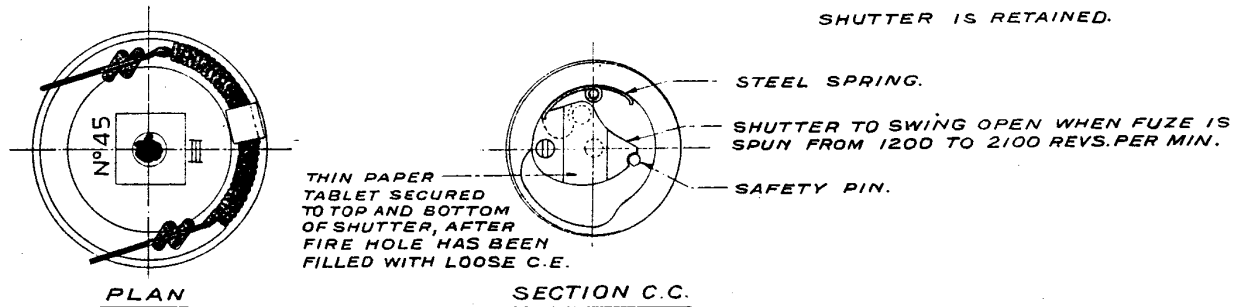
SECTION C.C.

FUZE, PERCUSSION, D.A. IMPACT, N° 45 MARK III / C /

FULL SIZE.



MARK II* FUZE IS THE MARK II FUZE CONVERTED AND FITTED WITH HOLDER, HAMMER, DETONATOR ETC. AS IN THE MARK III FUZE. THE EXISTING SHUTTER IS RETAINED.

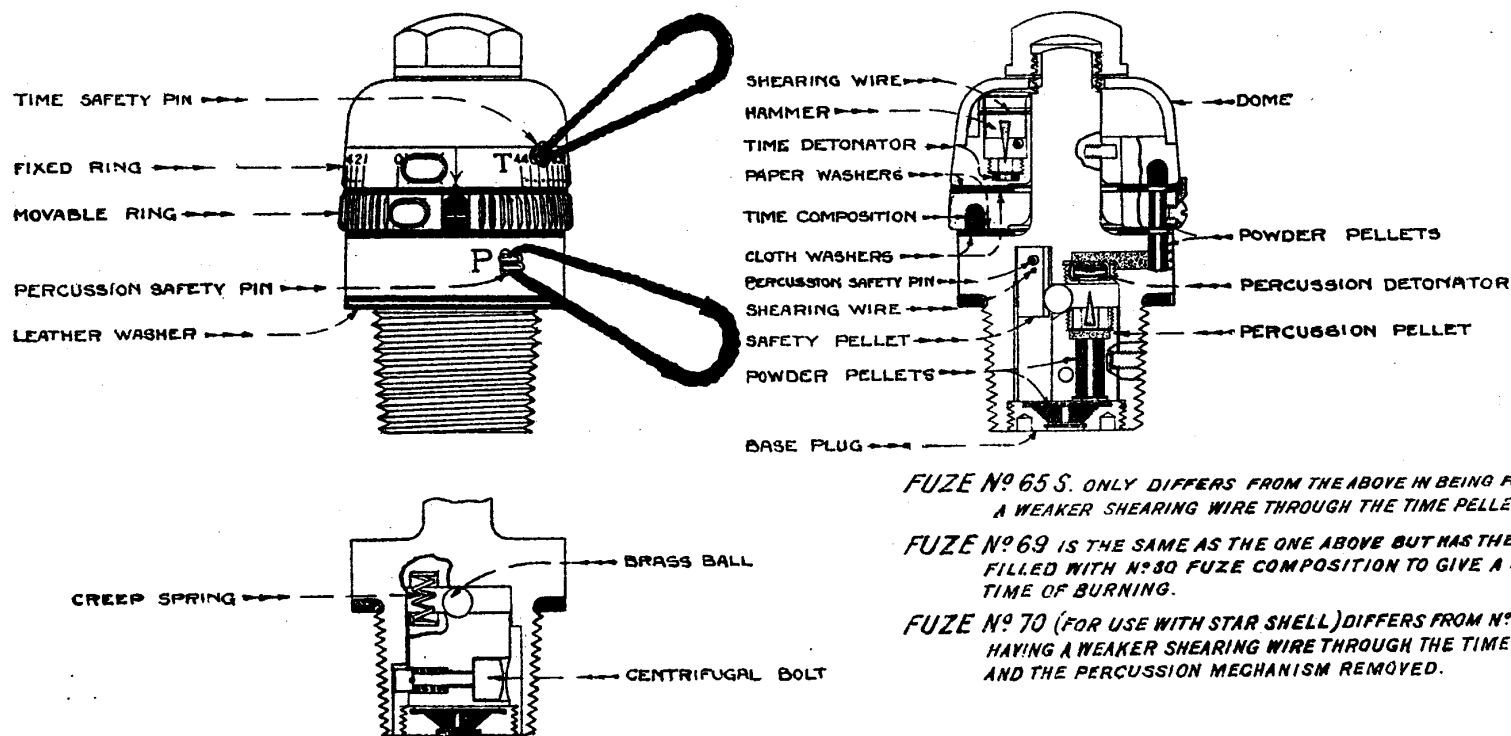


Part of
N° 20,600

ROYAL LABORATORY DEPARTMENT.

FUZE, TIME AND PERCUSSION, N° 65A, MARK I |C|.

SCALE FULL SIZE



FUZE N° 65 S. ONLY DIFFERS FROM THE ABOVE IN BEING FITTED WITH A WEAKER SHEARING WIRE THROUGH THE TIME PELLET.

FUZE N° 69 IS THE SAME AS THE ONE ABOVE BUT HAS THE RINGS FILLED WITH N° 80 FUZE COMPOSITION TO GIVE A SHORTER TIME OF BURNING.

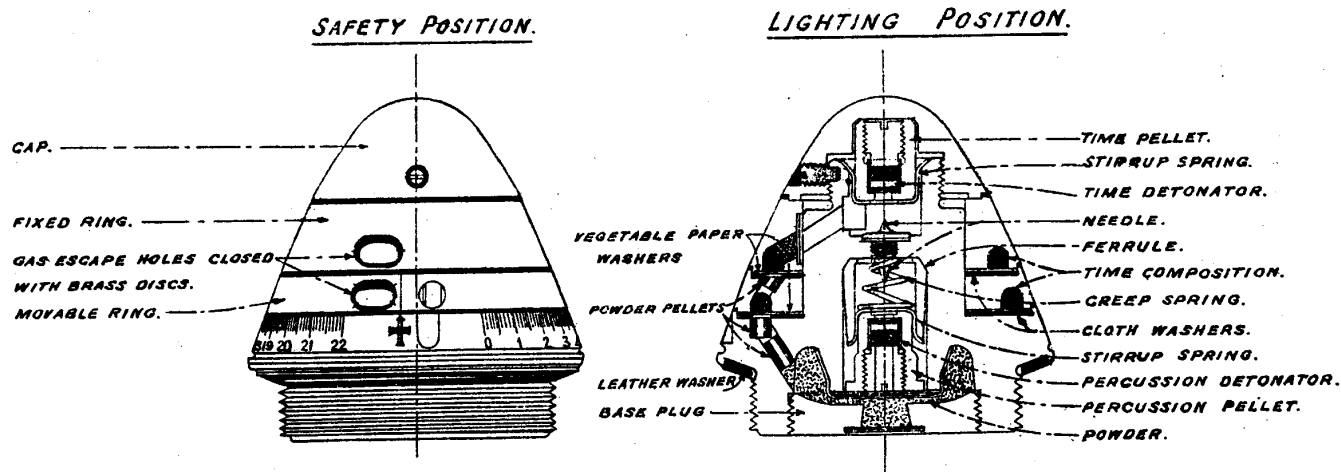
FUZE N° 70 (FOR USE WITH STAR SHELL) DIFFERS FROM N° 65A IN HAVING A WEAKER SHEARING WIRE THROUGH THE TIME PELLET AND THE PERCUSSION MECHANISM REMOVED.

Part of
N° 21,860

ROYAL LABORATORY DEPARTMENT.

FUZE, TIME AND PERCUSSION, N° 80, MARK VII. /L/.

— SCALE, FULL SIZE. —



FUZE N° 87 IS IDENTICAL WITH N° 80 FUZE BUT HAS THE TIME RINGS FILLED WITH LONG BURNING COMPOSITION AND THE LIP UNDER THE PLATFORM REMOVED.

FUZES N° 80 AND 87 ARE THE SAME AS N° 80 AND 87 BUT HAVE THE PERCUSSION ARRANGEMENT REPLACED BY A WOOD PLUG TWO STOPS ARE ALSO FITTED WHICH PREVENT THE FUZE BEING SET BETWEEN 0 AND 2. AND THE MARKING BELOW THE LATTER NUMBER IS EITHER BLACKED OUT OR OMITTED. FUTURE ISSUES OF FUZES WILL HAVE STOPPINS OMITTED.

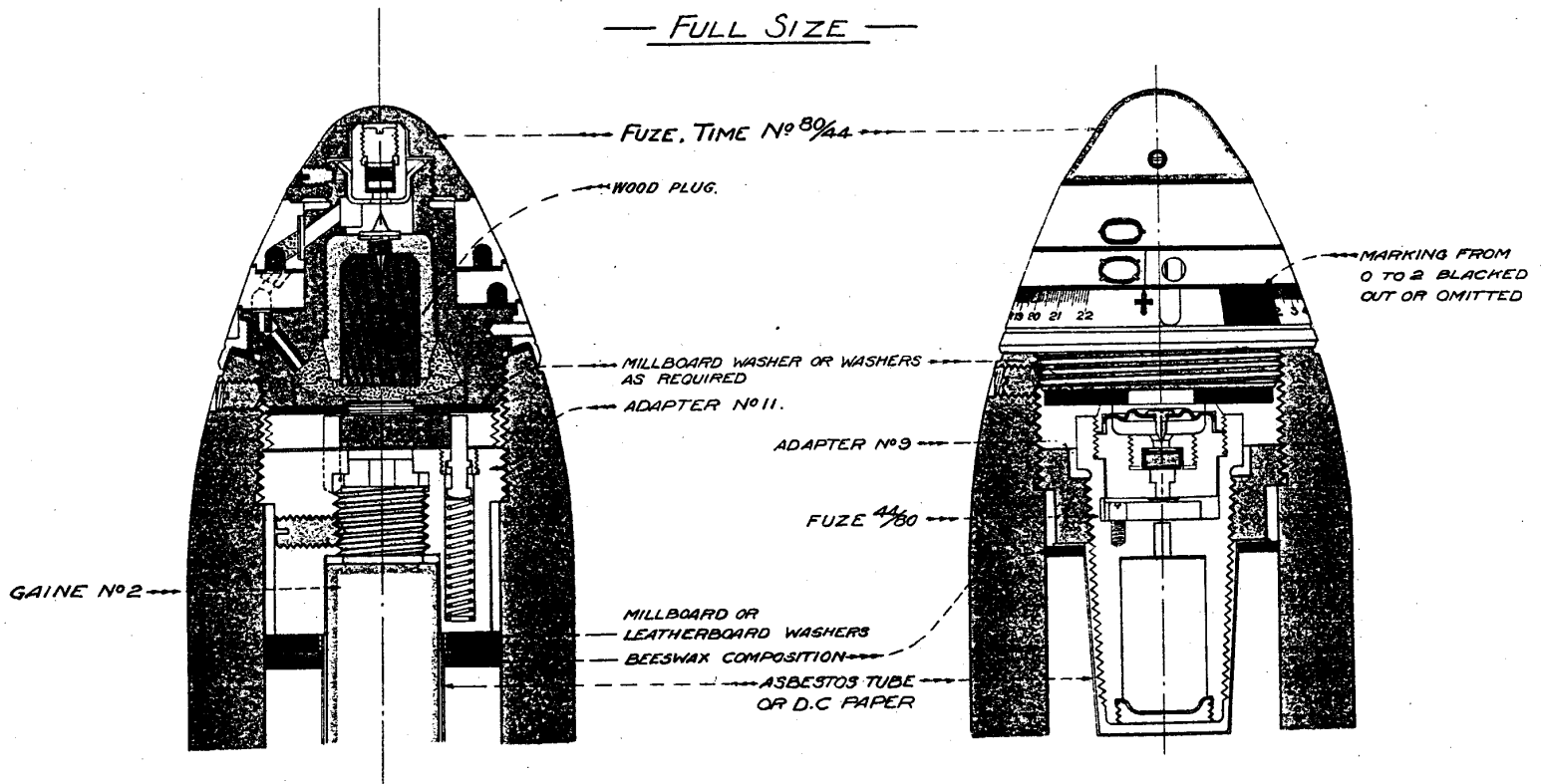
FUZE N° 180 IS N° 80 FUZE WITH THE PERCUSSION ARRANGEMENT REPLACED BY A WOOD PLUG.

PART OF N^{os} 23,770
23,319A & 24,290

ROYAL LABORATORY DEPARTMENT

FUZE N^o 80/44 IN COMBINATION WITH ADAPTER N^o 11 & WITH FUZE N^o 44/80 Mk. IV.

— FULL SIZE —

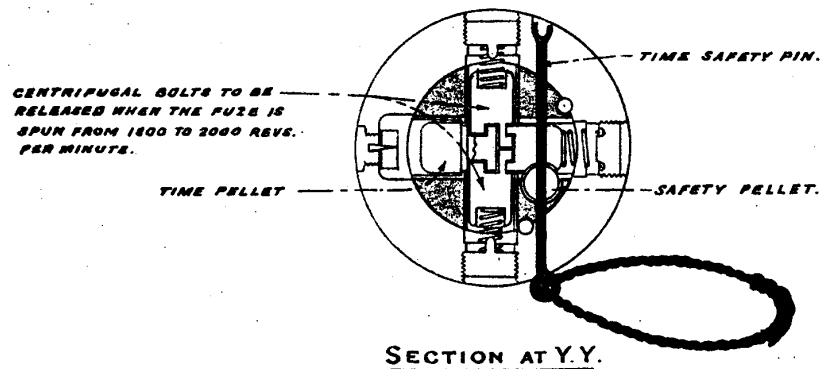
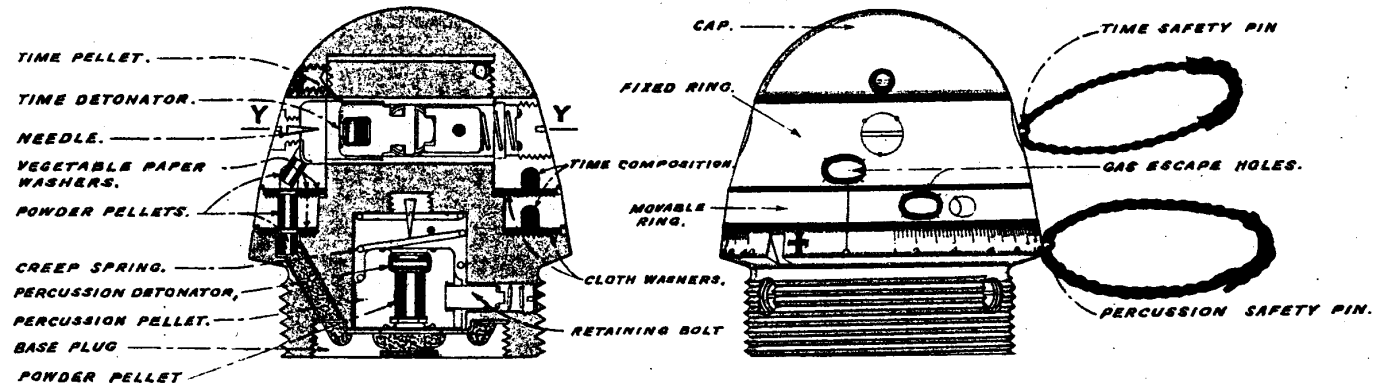


PART OF
N°14,360 S'1,

ROYAL LABORATORY DEPARTMENT.

FUZE, TIME AND PERCUSSION, N°82. (MARK III.)/L/.

—SCALE, FULL SIZE.—



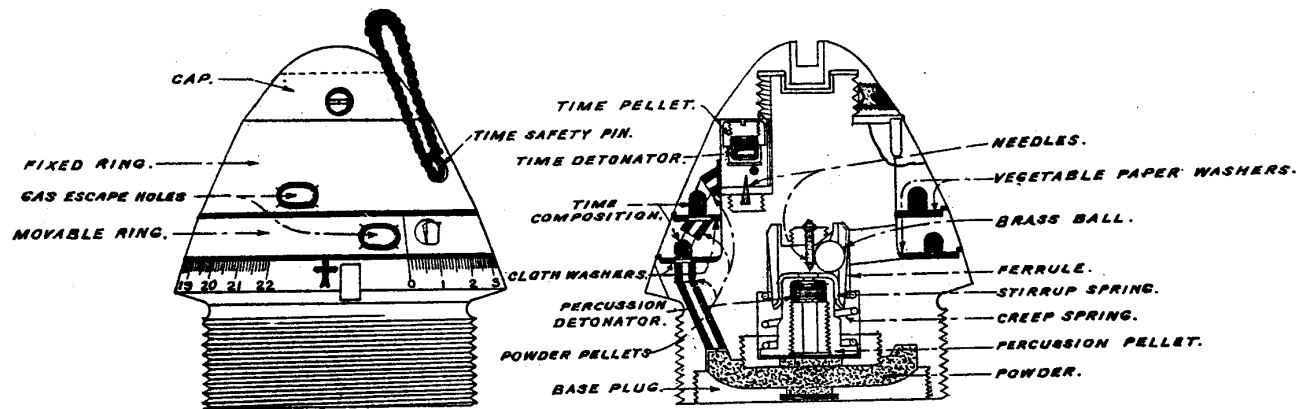
THE MARK IV FUZE ONLY DIFFERS FROM THE ONE ABOVE IN BEING FITTED WITH A SCREWED IN PERCUSSION NEEDLE.

Part of R.L.
N° 17210A

ROYAL LABORATORY DEPARTMENT.

FUZE, TIME AND PERCUSSION, N° 83, MARK II / L /.

— SCALE, FULL SIZE. —



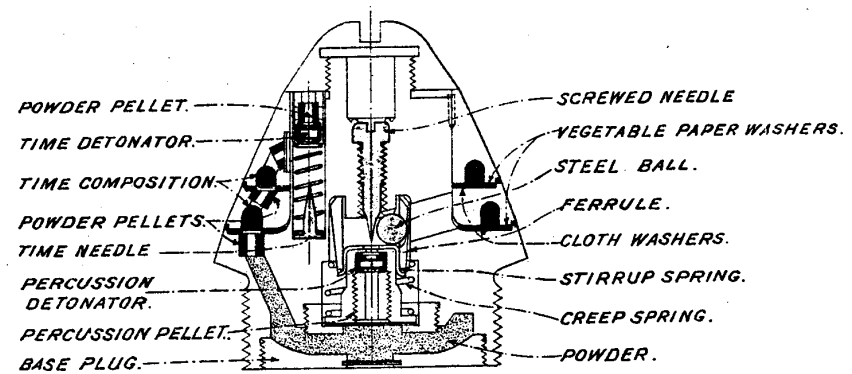
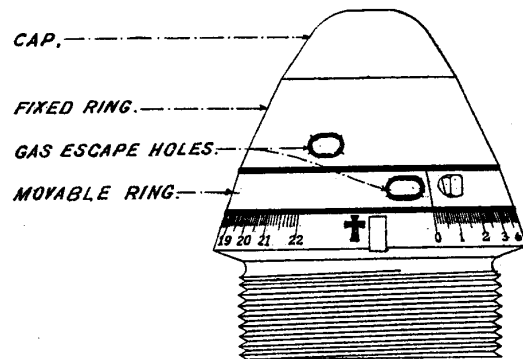
FUZE N° 88 IS THE SAME AS N° 83 WITH THE EXCEPTION THAT THE LOWER TIME RING IS FILLED WITH SPECIAL COMPOSITION TO GIVE A LONGER TIME OF BURNING.

Part of R.L. 23290 (1)

ROYAL LABORATORY DEPARTMENT.

FUZE, TIME AND PERCUSSION, N° 83, MARK III [L].

— SCALE, FULL SIZE. —



NOTE:- WITH THE EXCEPTION OF THE TIME RINGS AND CAP, THIS FUZE IS OTHERWISE THE SAME AS N° 89, MARK I.

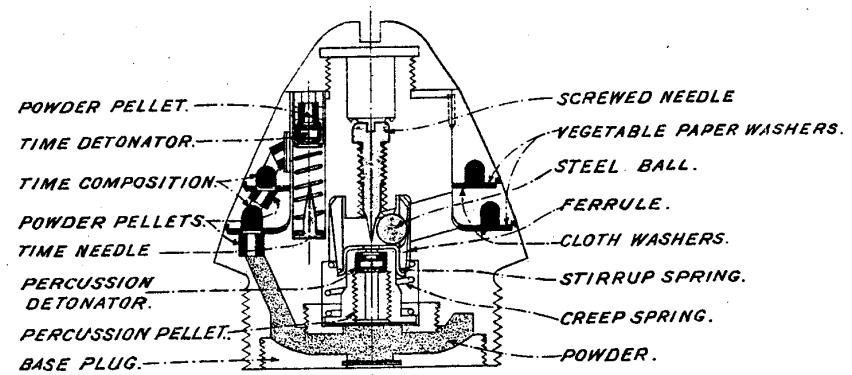
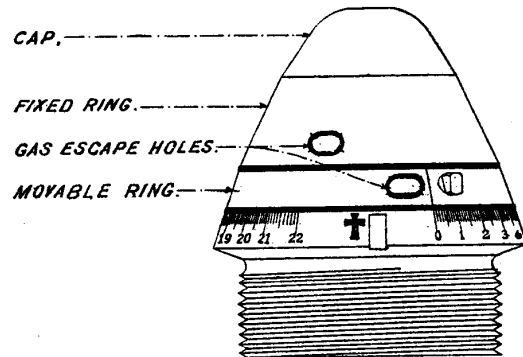
FUZE N° 88 MARK III IS THE SAME AS N° 83 MARK III WITH THE EXCEPTION THAT THE LOWER TIME RING IS FILLED WITH SPECIAL COMPOSITION TO GIVE A LONGER TIME OF BURNING. THE LOWER RING OF N° 88 FUZE IS LACQUERED RED FOR DISTINCTION.

Part of R.L. 23290 (1)

ROYAL LABORATORY DEPARTMENT.

FUZE, TIME AND PERCUSSION, N° 83, MARK III [L].

— SCALE, FULL SIZE. —



NOTE:- WITH THE EXCEPTION OF THE TIME RINGS AND CAP, THIS FUZE IS OTHERWISE THE SAME AS N° 89, MARK I.

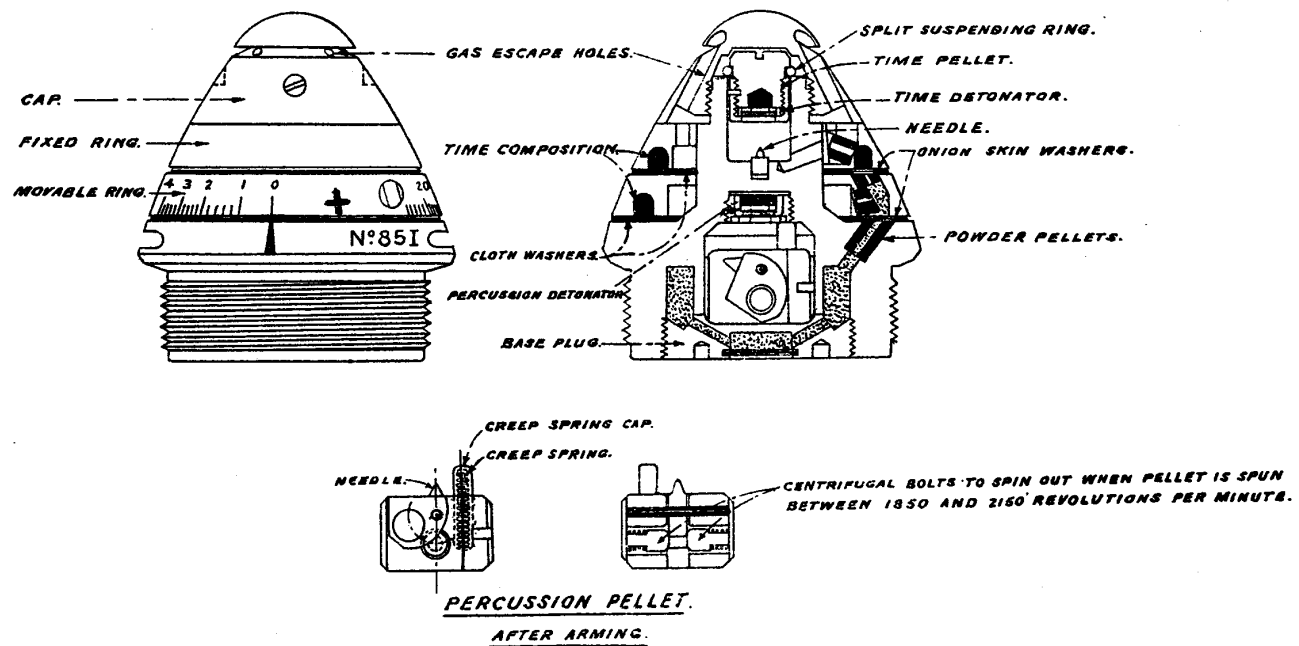
FUZE N° 88 MARK III IS THE SAME AS N° 83 MARK III WITH THE EXCEPTION THAT THE LOWER TIME RING IS FILLED WITH SPECIAL COMPOSITION TO GIVE A LONGER TIME OF BURNING. THE LOWER RING OF N° 88 FUZE IS LACQUERED RED FOR DISTINCTION.

Part of C.I.W.
N°1909.

ROYAL LABORATORY DEPARTMENT.

FUZE, TIME AND PERCUSSION, N°85, MARK I /L/.

— SCALE, FULL SIZE. —

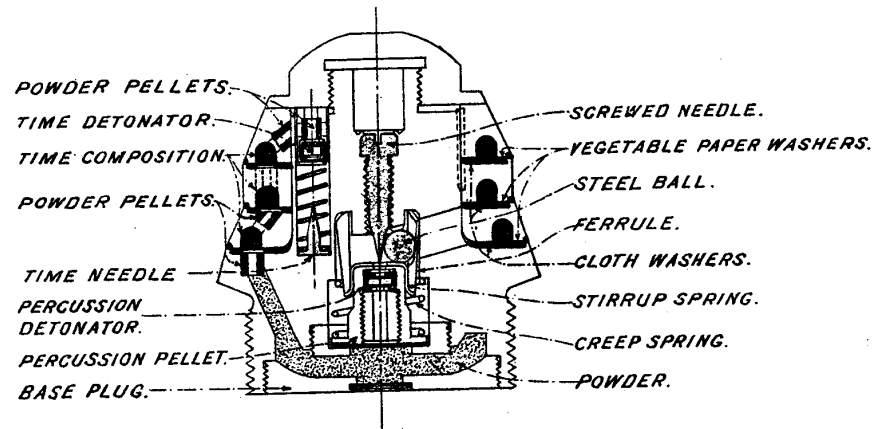
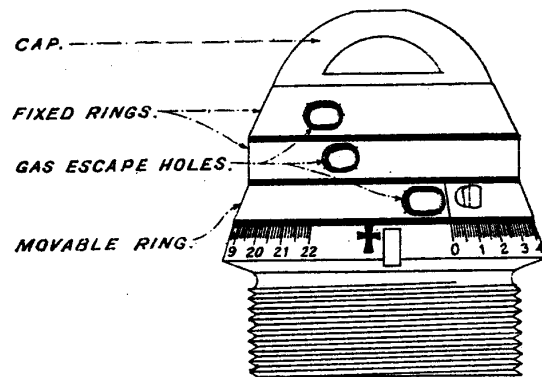


PART OF N° 22,790(1)

ROYAL LABORATORY DEPARTMENT.

FUZE, TIME AND PERCUSSION, N° 89, MARK I.

— SCALE, FULL SIZE. —



NOTE:- WITH THE EXCEPTION OF THE TIME RINGS AND CAP, THIS FUZE IS OTHERWISE THE SAME AS N° 83 MARK III.

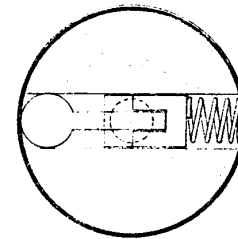
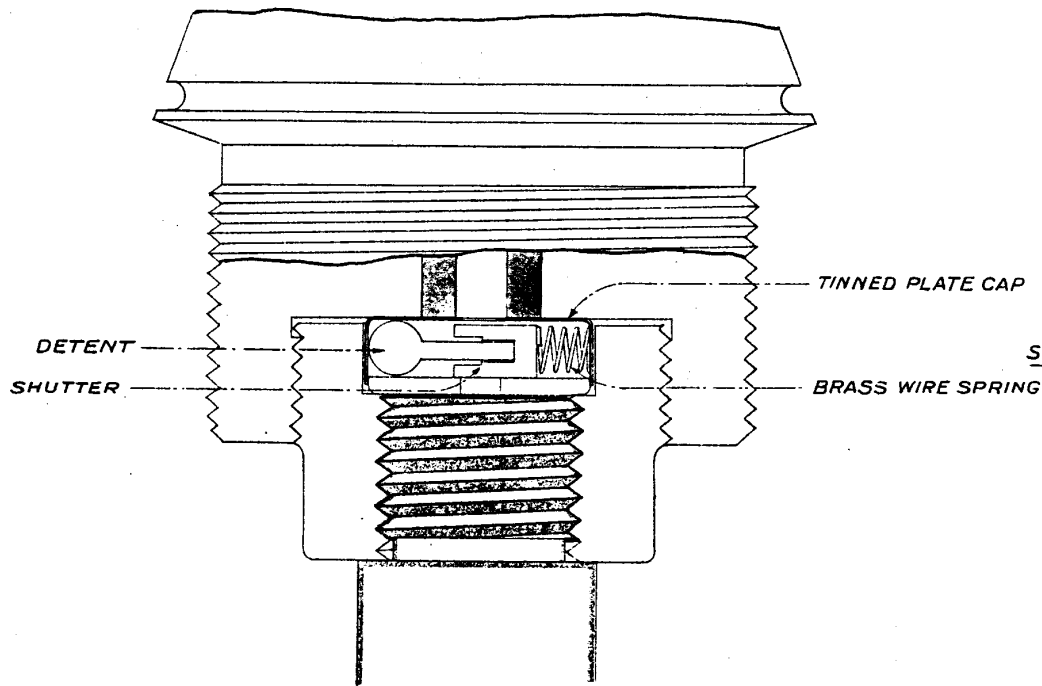
PART OF
No 23,000.D.

ROYAL LABORATORY DEPARTMENT.

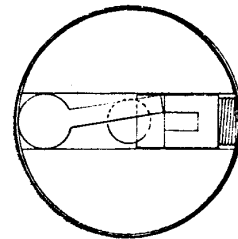
SAFETY SHUTTER FOR USE WITH FUZE, PERCUSSION No 101

— SCALE $\frac{2}{1}$ —

SECTIONAL PLAN OF SHUTTER, CLOSED.



SECTIONAL PLAN OF SHUTTER, OPEN.

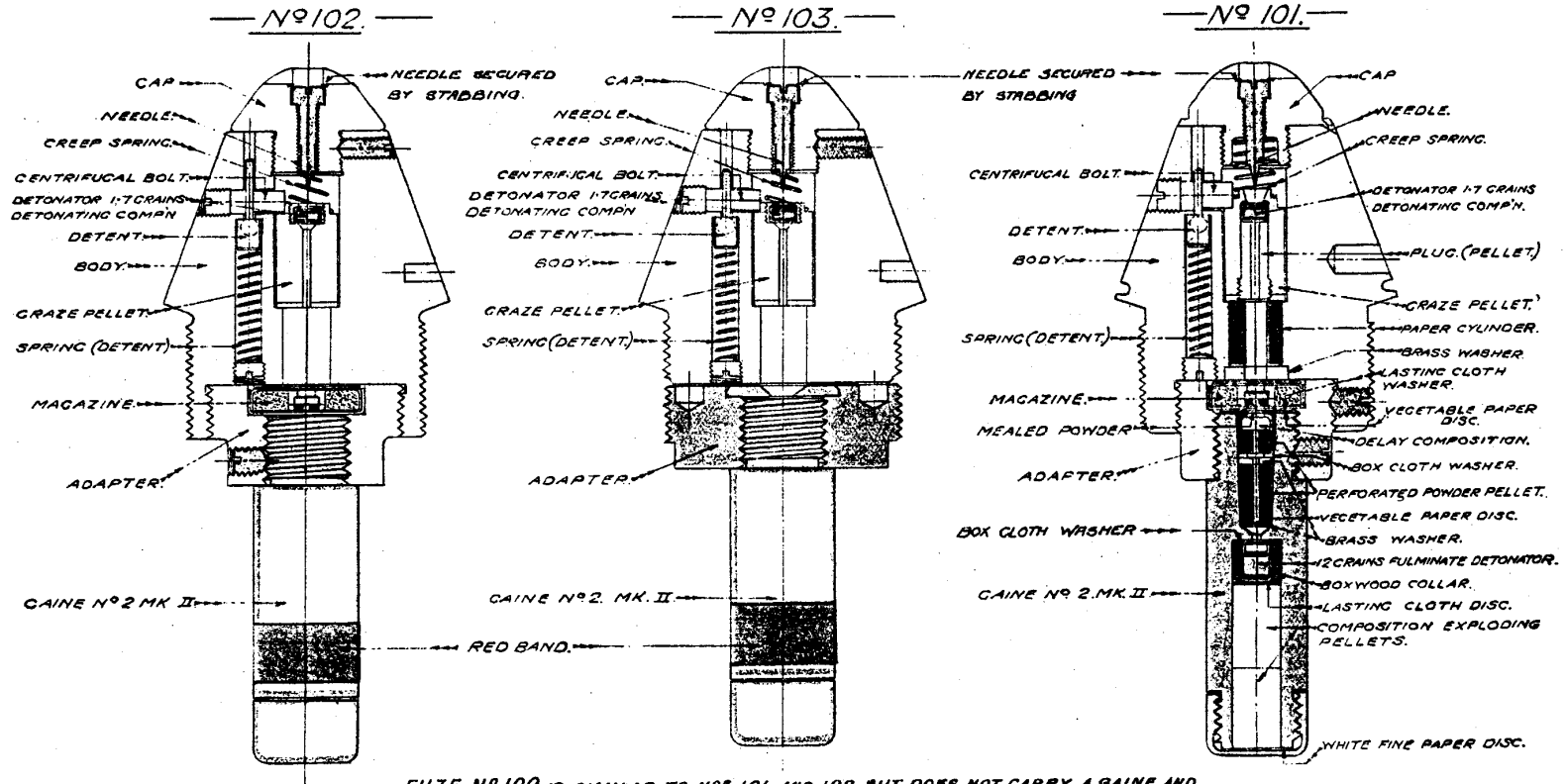


Part of
N° 21,070 S, P, & Q.

ROYAL LABORATORY DEPARTMENT.

FUZES, PERCUSSION WITH GAINE N° 2.

SCALE, FULL SIZE.



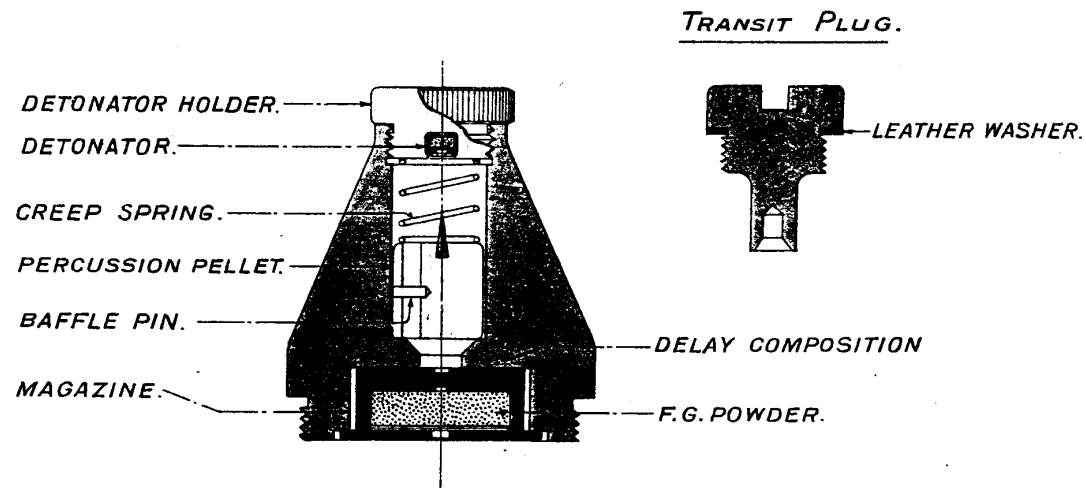
FUZE N° 109 IS SIMILAR TO N° 101 AND 102 BUT DOES NOT CARRY A GAINE AND HAS THE HOLE BELOW THE MAGAZINE IN THE ADAPTER PLUGGED.

Part of
N°21,900 B. (1)

ROYAL LABORATORY DEPARTMENT.

FUZE, PERCUSSION, N° 105 B. MARK I / L /.

— FULL SIZE. —



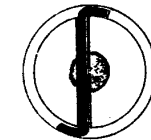
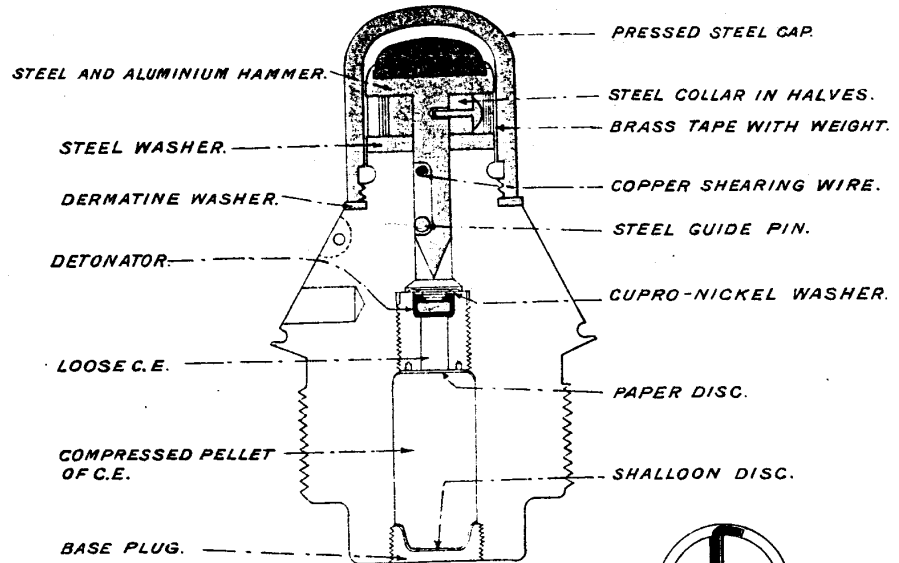
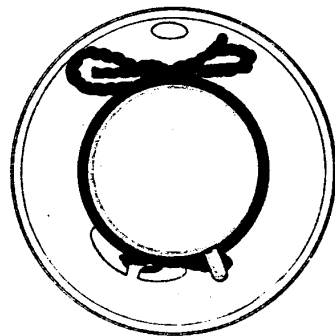
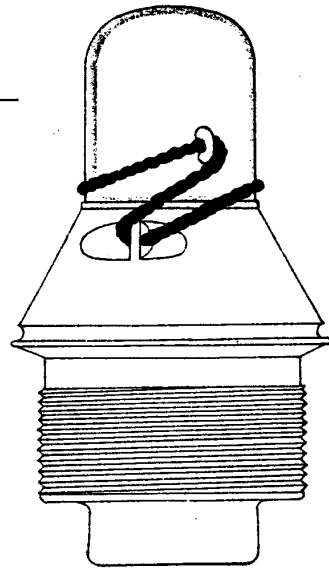
NOTE:— THE DETONATOR HOLDER REPLACES THE TRANSIT PLUG AFTER THE BOMB HAS BEEN LOADED INTO THE HOWITZER.

Part of
RESEARCH DEPARTMENT
DESIGN N° 212 A.

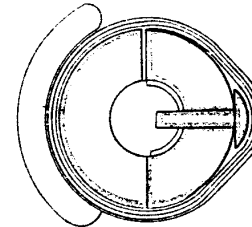
ROYAL LABORATORY DEPARTMENT.

FUZE, PERCUSSION, WITH CAP N° 106. MARK II/L/

— SCALE, FULL SIZE. —



SECTION THRO SHEARING WIRE.

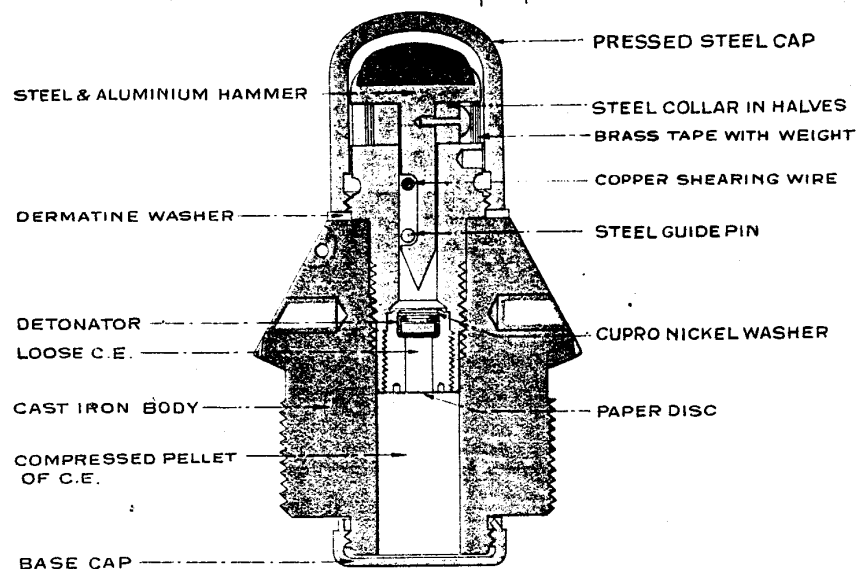
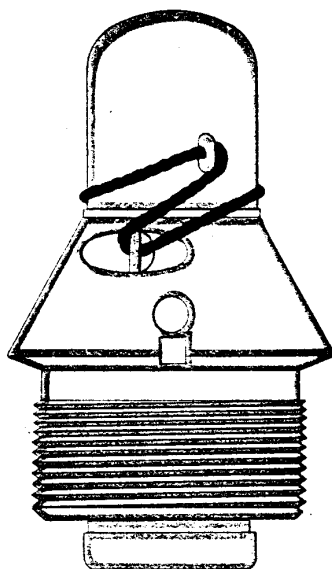


SCALE, 2/1.

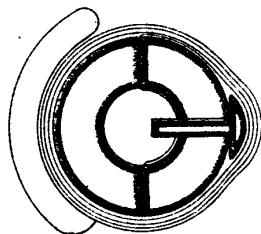
METHOD OF WINDING BRASS TAPE.
WOUND CLOCKWISE, WHEN VIEWED FROM HAMMER POINT.

FUZE, PERCUSSION, WITH CAP N° 106 MARK III | L

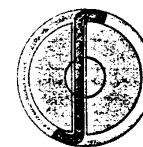
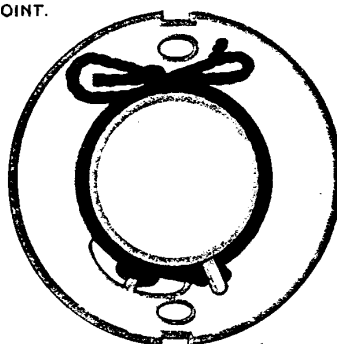
SCALE FULL SIZE



METHOD OF WINDING BRASS TAPE.
WOUND CLOCKWISE WHEN VIEWED FROM HAMMER POINT.



SCALE 2/1



SECTION THROUGH SHEARING WIRE.

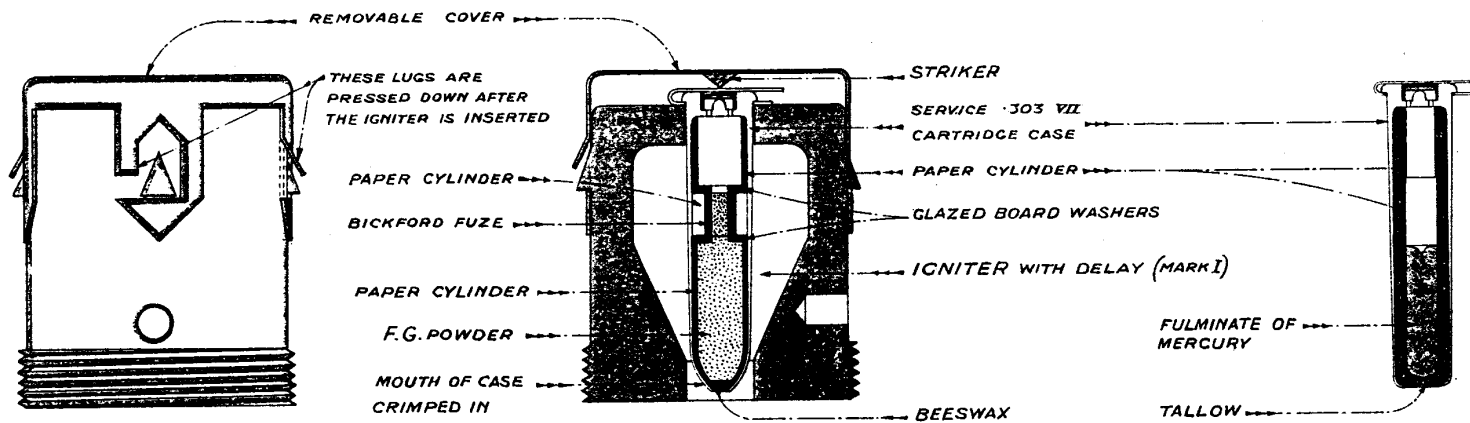
PART OF R.L. N^o22,120
& C.I.W. N^{os} 3102 & 3120.

ROYAL LABORATORY DEPARTMENT

FUZE, PERCUSSION N^o107 (MARK I)/L/
WITH IGNITER SHOWN IN POSITION

DETONATOR
N^o107 FUZE M^oII/L/

— FULL SIZE —

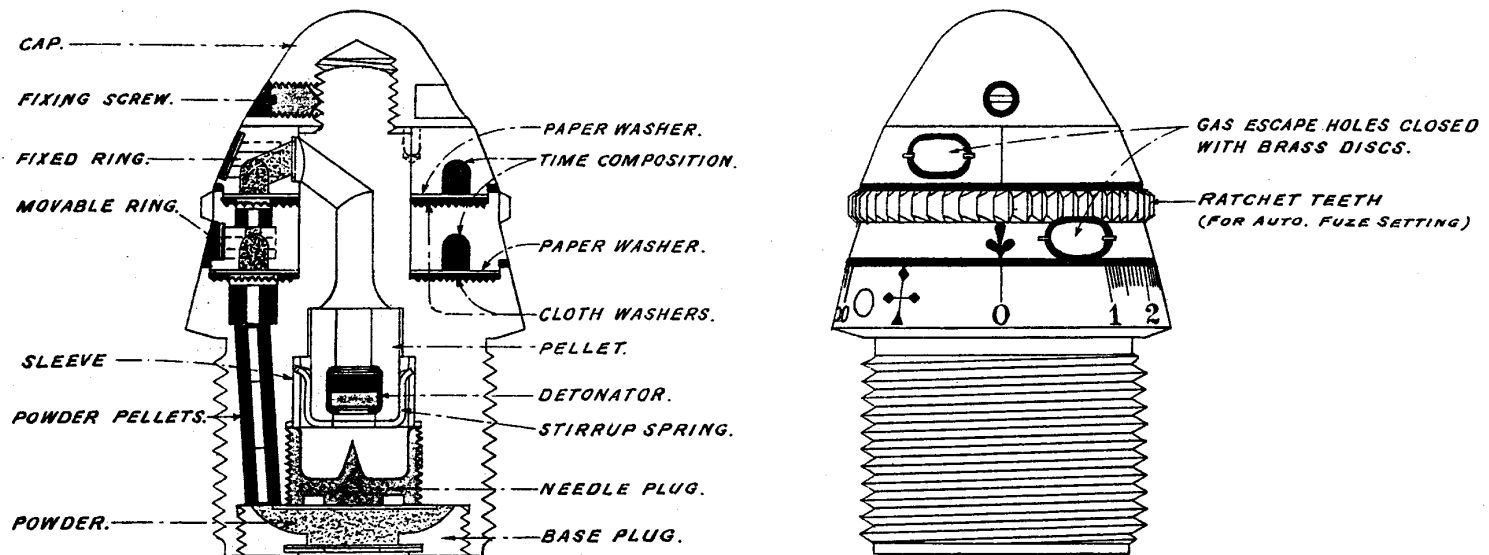


Part of V.S.M.
N°44, 2436.

ROYAL LABORATORY DEPARTMENT.

FUZE, TIME, N°121 MARK II /N/.

— SCALE, TWICE FULLSIZE. —

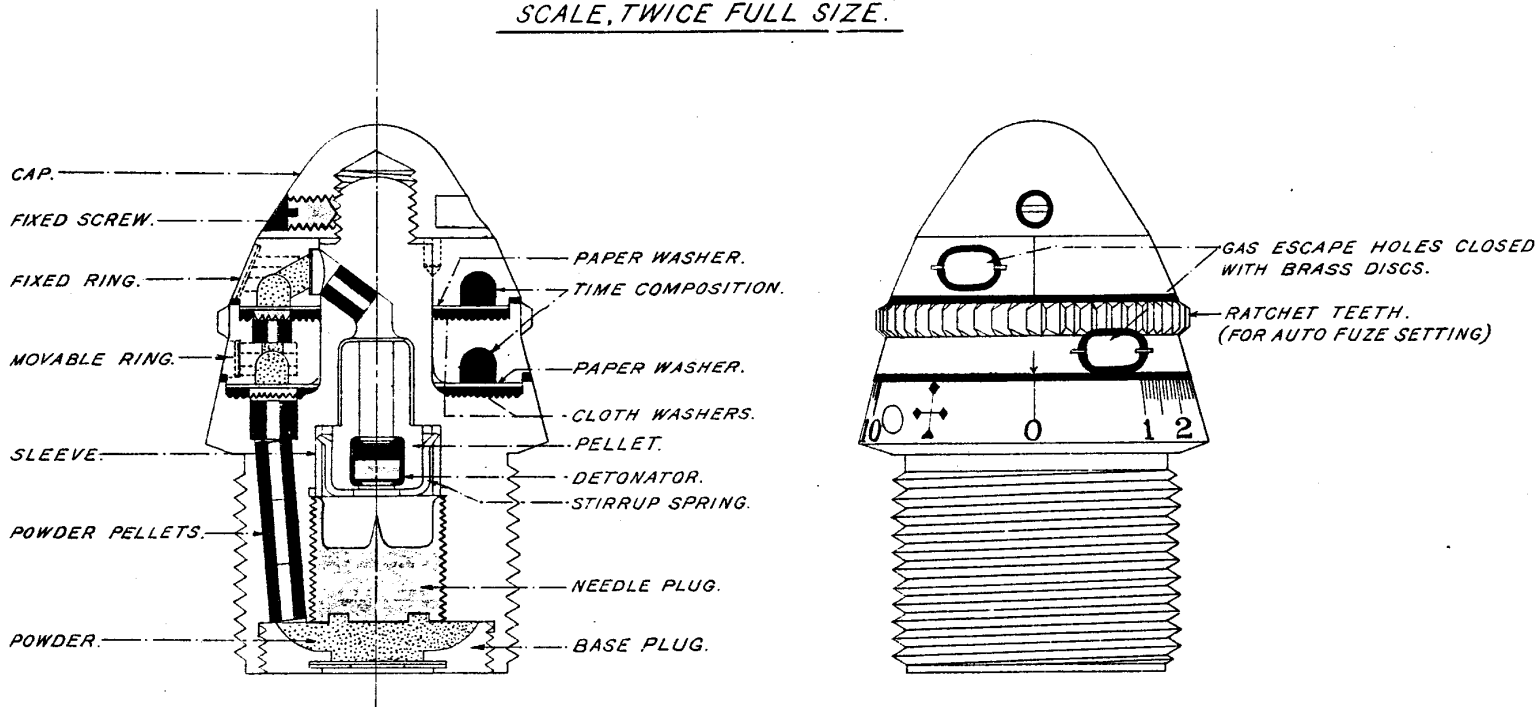


PART OF
N^o 23460 (1)

ROYAL LABORATORY DEPARTMENT.

FUZE, TIME. N^o 121. MARK III /C/

SCALE, TWICE FULL SIZE.

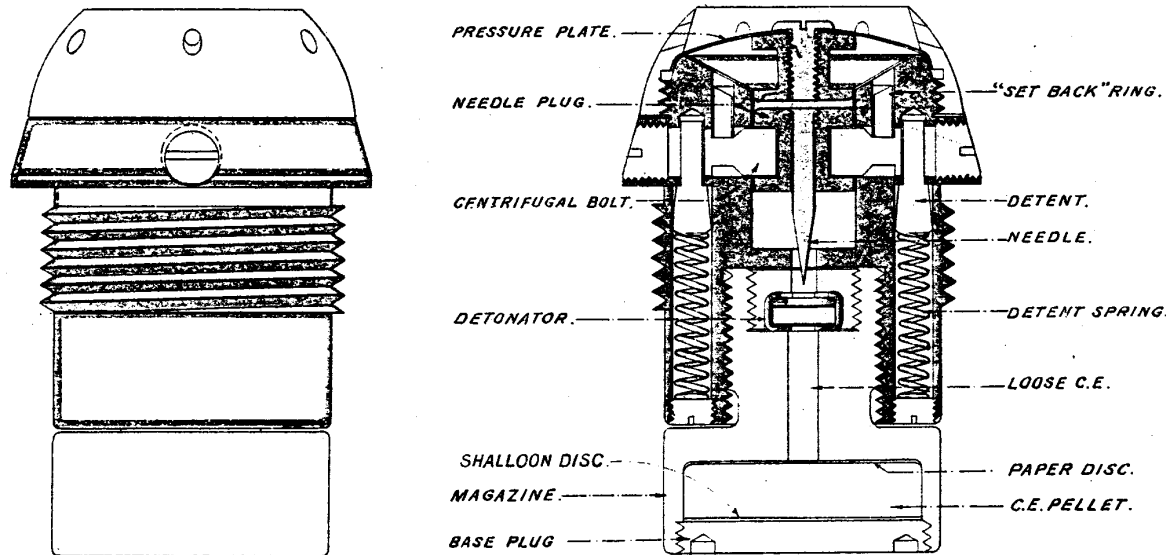


Part of
N° 25,560(1)

ROYAL LABORATORY DEPARTMENT.

FUZE, PERCUSSION, DIRECT ACTION, IMPACT. N° 131. MARK IV.

— SCALE, TWICE FULL SIZE. —



FUZE N° 132 HAS A HOLE THROUGH THE BASE PLUG AND IS FILLED POWDER INSTEAD OF C.E. OTHERWISE IT IS THE SAME AS THE FUZE ABOVE.

PART OF
N^o 22590 G. (1).

ROYAL LABORATORY DEPARTMENT.

FUZE, PERCUSSION, N^o 145, MARK I /L/

— FULL SIZE. —

